

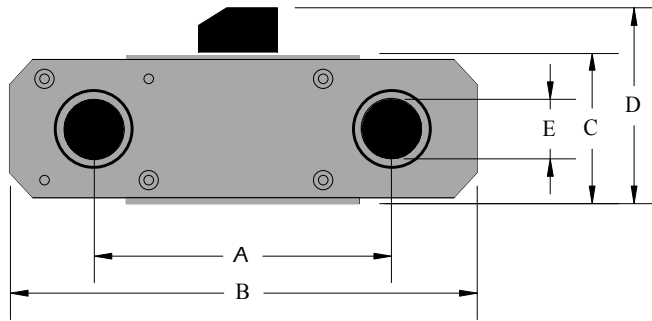
PROOFLOAD (Services) B.V.

Office: Hooghevelstraat 113
 5349 AM OSS, the Netherlands
 Telephone: +31 (0)412 646974
 Fax: +31 (0)412 652340
 E-mail: info@proofload.com
 Website: www.proofload.com

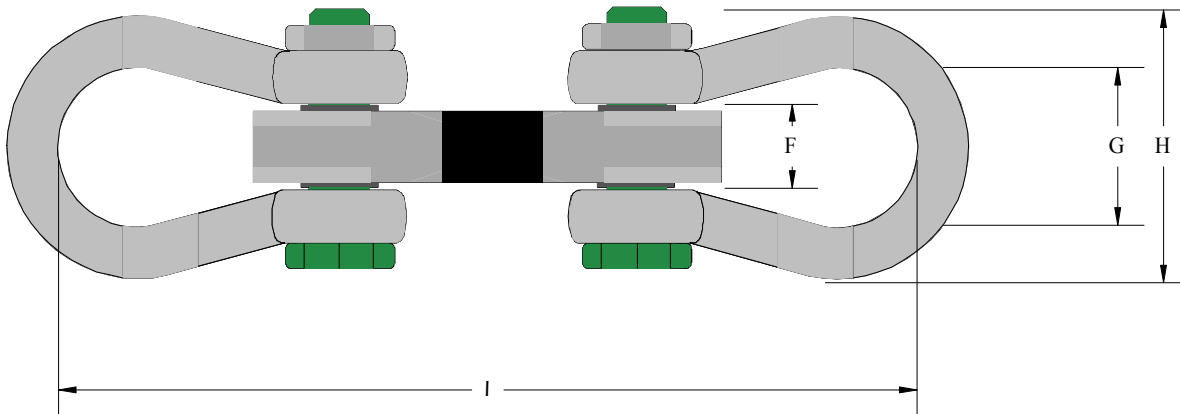
**PROOFLOAD®**

LOAD CELL LINK SPECIFICATIONS

PROOFLOAD offers a wide variety of Load Cell Links, Telemetry as well as Cable versions
 The Load Cell Links are Battery operated and delivered as a complete ready to use system, consisting out of, a Load Cell Link incl. Shackles, Readout Unit, Battery charger, cable (optional) and carry case.

**Technical data**

Material	: Alloy Steel or : Aluminium
Overload Capacity	: > 150%
Test Load	: 150 %
Safety factor	: 3 : 1
Accuracy	: +/- 0.5%
Enclosure	: IP67
Temperature range	: -20 to + 60°C



Capacities and dimensions

Sizes are in mm

Range W.L.L.	A	B	C	D	E	F	G	H	I	Weight Kg.	SH Total Weight
5 t.	160	230	66	136	25	31	58	131	351	2	6
10 t.	200	290	88	168	35	52	83	179	465	2	12
15 t.	240	350	110	179	42	51	99	202	574	10	27
20 t.	280	410	130	200	51	71.5	126	244	686	12	41
35 t. TE	147	305	138	/	60	58	138	270	598	5	45
35 t.	340	490	152	338	58	81	138	270	791	24	64
50 t. TE	170	345	150	/	73	78	138	264	621	9	53
50 t.	410	600	178	261	71.5	101	180	330	1000	44	124
85 t. TE	190	446	220	/	85	78	190	376	931	16	140
100 t. TE	228	455	220	/	100	120	190	371	969	27	167
120 t.	500	740	200	/	100	126	238	440	1357	90	310
250 t. TE	330	680	304	/	145	190	305	560	1550	86	656