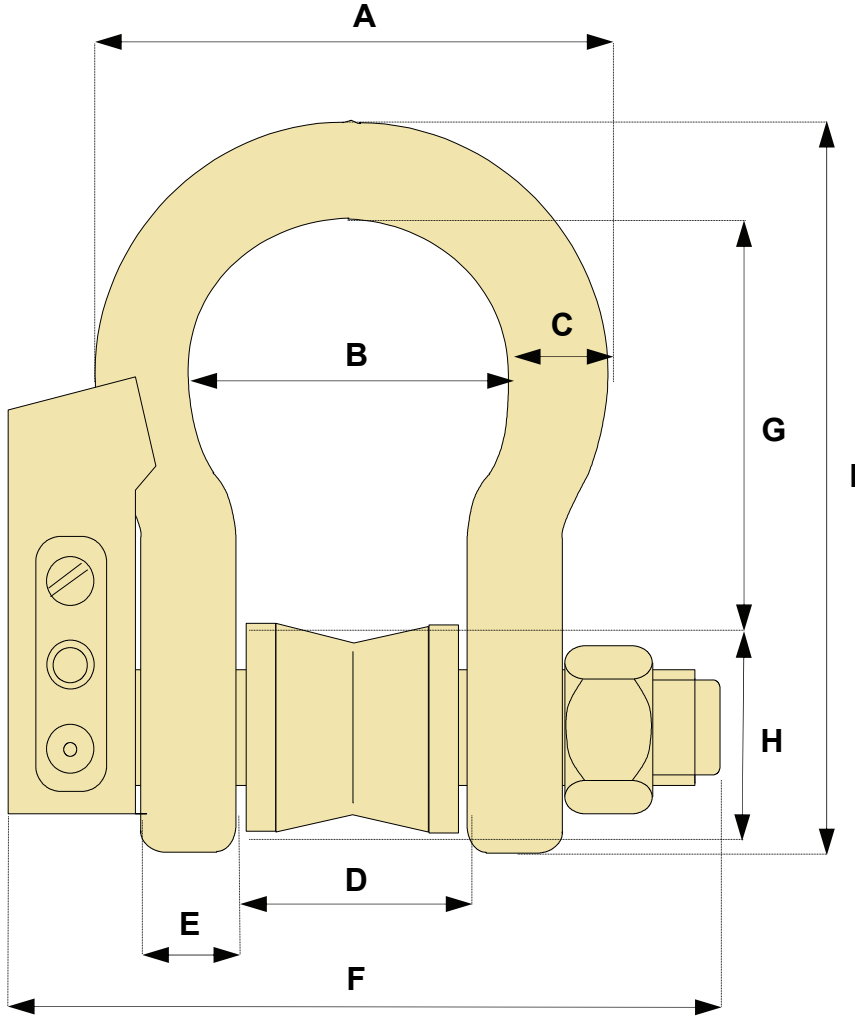




## LOAD CELL SHACKLE SPECIFICATIONS



PROOFLOAD offers a wide variety of Load Cell Shackles, Telemetry as well as Cable versions.

The Load Cell Shackles are Battery operated and delivered as a complete ready to use system, consisting out of, a Load Cell Shackle, Readout Unit, Battery charger, cable (optional) and carry case.

Larger capacity's can be supplied upon request.

### Technical data

Material	: Alloy Steel
Overload Capacity	: > 150%
Test Load	: 150 %
Safety factor	: 3 : 1
Accuracy	: +/- 1.0%
Enclosure	: IP67
Temperature range	: -20 to + 60°C

### Capacities and dimensions

Sizes are in mm

Range W.L.L.	A	B	C	D	E	F	G	H	I	Weight Kg.
13.5 t. TE	170	92	35	57	35	210	114	60	240	6
17 t. TE	183	99	38	60	38	225	129	65	262	8
50 t. TE	329	180	65	105	65	350	250	100	463	51
75 t.	355	190	75	127	75	400	327	86	556	63
150 t.	485	275	105	165	100	590	390	160	702	160
300 t.	585	305	140	205	123	625	585	235	996	402
400 t. TE	665	325	170	225	160	800	600	300	1137	680